

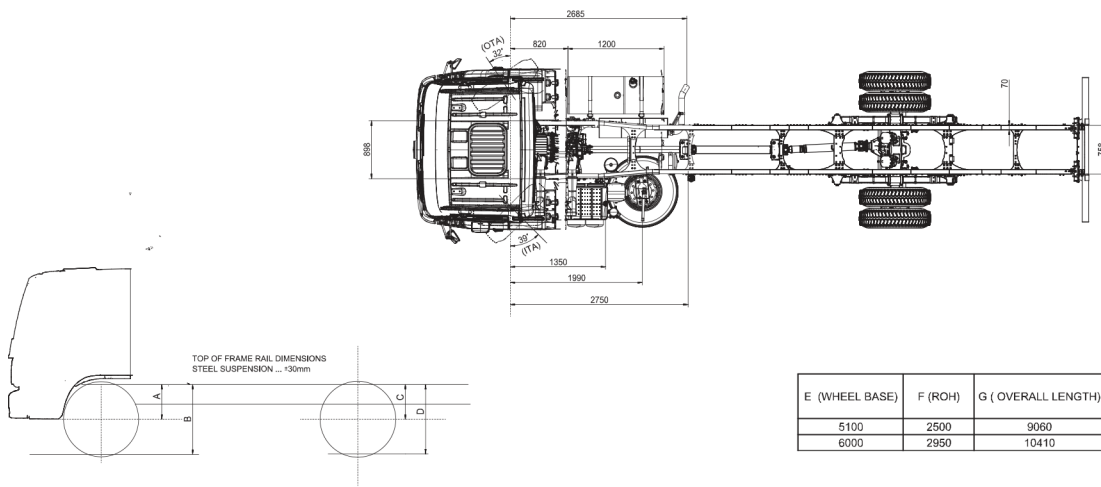
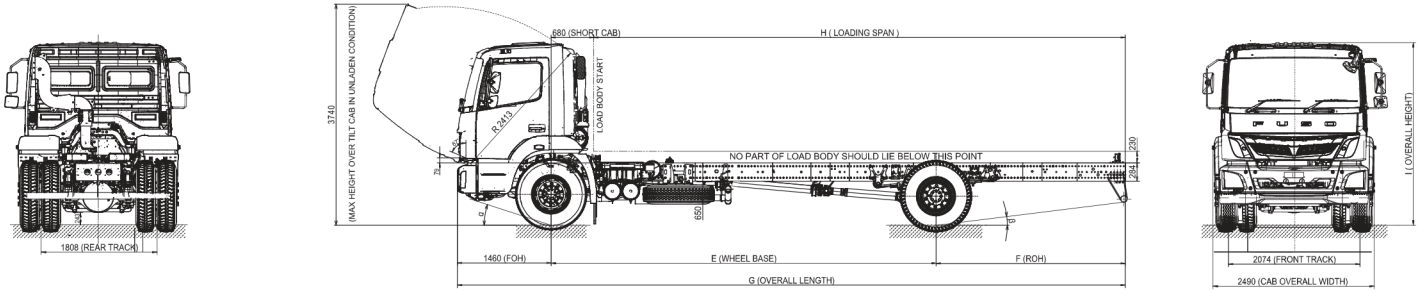
SPECIFICATIONS

FJ18-280L

Make		FUSO
Range		FJ
Model		FJ18-280L
Model Code		FJX4WP2RB5A
Axle Layout		4x2
Cab		Extended Day cab
Crew		3 seating
Vehicle type		Rigid
Mass Data (kg)		
GVM	Manufacturer's gross vehicle mass	18500
GCM	Manufacturer's gross combination mass	32000
D/T	Permissible max towing drawing vehicle mass	32000
GA-Front	Manufacturer's front axle mass	7500
GA-Rear	Manufacturer's rear axle mass	11000
V	Permissible maximum vehicle mass	16500
AF	Permissible maximum front axle mass	7500
AR	Permissible maximum rear axle mass	9000
UF	Unladen front axle mass	4145
UR	Unladen rear axle mass	2449
UT (Tare)	Total unladen mass	6594
Permissible Body + Payload		9906
Fuel Tank (Litres)	Capacity	290
Dimensions (mm)		
OL	Overall length	10410
OW	Overall width	2490
CA	Cab to Axle	4490
OH	Overall height	2985
FOH	Front overhang	1460
ROH	Rear overhang	2950
WB	Wheelbase	6000
Performance		
Gradeability at Permissible Maximum Weight (V)		80%
Maximum Speed (SA Legislation)		80 km/h
Minimum turning radius		11.91 m
Standard Equipment/features		
Arctic White (AW1) Air Suspended Driver's Seat with integral Seat Belt ELR 3-Point with Centre Lap Belt & Driver's Seat Belt Reminder Air Conditioner / Heater / Demister 12V Accessory Power Outlet Radio AM/FM + USB + AUX Central Locking and Electric Windows Dual Door Mirrors + LH Front and Side Safety Mirrors Variable RPM Control Cruise Control Engine Brake & Exhaust Brake E-viscous Fan (Intermittent operation fan) Differential Lock Buzzer clutch Wear Indicator (Preventative Maintenance) Day Time Running Lights (LED) Intelligent Instrument Cluster with On-board Diagnostic Anti Roll / stabilizer Bars (Front and Rear)		
Standard Services		
4 year / 300 000 km Warranty		
15 000 km maintenance schedule		
20 000 km maintenance schedule		
25 000 km maintenance schedule		

Engine	
Make	FUSO
Model	6S20
Configuration	Diesel inline 6
Capacity (cm ³)	6373
Type	Four stroke water cooled direct injection diesel engine
Power at RPM	205 kW @ 2200 rpm
Torque at RPM	1100 Nm @ 1200 rpm to 1600 rpm
Emission standards	Euro III
Generator	24V, 80A
Air Cleaner	Dry type – Twin Stage, Paper element
Suction	Snorkel and rain cap
Governor	Electrical control type
Transmission	
Make	FUSO
Model	G131
Type	Synchromesh gears
Shift	Manual
No. of gears forward	9
1st gear ratio	14.57
Top gear ratio	1.0
Clutch	
Make	FUSO
Model	-
Type	Dry-Single plate, Hydraulic actuated control with servo assistance
Diameter (mm)	395
Drive Axle	
Make	FUSO
Reduction type	Single reduction, Hypoid gear
Final Ratio	4,3
Suspension	
Front	Parabolic leaf spring
Rear	Semi elliptic – Auxiliary spring
Stabilisers	Yes
Steering	
	Power assisted – Hydraulic
Brakes	
System type	Pneumatic
Front	Drum
Rear	Drum
ABS	Yes
Park/Emergency System	Pneumatically operated Spring actuated with hand brake
Auxiliary Brakes	Engine brake & Exhaust brake
Tyres and Rims	
Tyre Sizes	315 / 80R 22.5
Type	Radial, Tubeless
Electrical	
System	24V

DIMENSIONS



ALL DIMENSIONS ARE IN mm

E (WHEEL BASE)	F (ROH)	G (OVERALL LENGTH)	H (LOADING SPAN)	I (OVERALL HEIGHT - UNLADEN)	β
5100	2500	9060	6920	2985	10°
6000	2950	10410	8270	2985	8°

